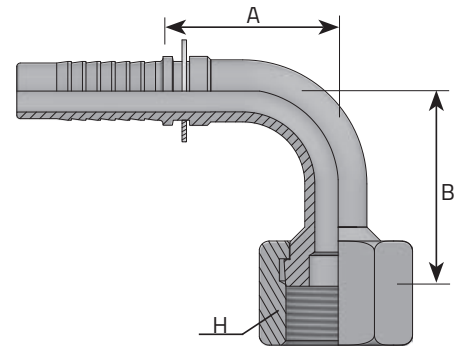




## ORFS FEMALE SWIVEL 90° ELBOW

FEMMINA 90° ORFS  
 FEMELLE 90° ORFS  
 DK 90° BOGEN ORFS UNF STIRNDICHTEND  
 HEMBRA GIRATORIA A 90° ORFS

\* CRIMPED NUT  
 DADO PINZATO



| Code          | Tube |        | Thread |          | Dimensions |    |      |      | Pressure |      |
|---------------|------|--------|--------|----------|------------|----|------|------|----------|------|
|               | D.N. | Hose   | Diam   | T        | t/1"       | H  | B    | A    | Bar      | Psi  |
|               | Inch |        | mm     | Inch     |            | mm | mm   | mm   |          |      |
| F90ORFS0406   | -4   | 1/4"   | 6.4    | 9/16"    | 18         | 17 | 29.5 | 28   | 450      | 6526 |
| F90ORFS0409   | -4   | 1/4"   | 6.4    | 11/16"   | 16         | 22 | 30   | 28   | 450      | 6526 |
| F90ORFS0411   | -4   | 1/4"   | 6.4    | 13/16"   | 16         | 24 | 32   | 29.5 | 450      | 6526 |
| F90ORFS0509   | -5   | 5/16"  | 7.9    | 11/16"   | 16         | 22 | 29   | 29   | 350      | 5076 |
| * F90ORFS0606 | -6   | 3/8"   | 9.5    | 9/16"    | 18         | 19 | 44   | 32.5 | 445      | 6454 |
| F90ORFS0609   | -6   | 3/8"   | 9.5    | 11/16"   | 16         | 22 | 29   | 36   | 445      | 6454 |
| F90ORFS0611   | -6   | 3/8"   | 9.5    | 13/16"   | 16         | 24 | 32   | 34   | 445      | 6454 |
| * F90ORFS0809 | -8   | 1/2"   | 12.8   | 11/16"   | 16         | 22 | 51   | 40.5 | 415      | 6019 |
| F90ORFS0811   | -8   | 1/2"   | 12.8   | 13/16"   | 16         | 24 | 36   | 37.5 | 415      | 6019 |
| F90ORFS0813   | -8   | 1/2"   | 12.8   | 1"       | 14         | 30 | 39   | 39   | 415      | 6019 |
| F90ORFS0814   | -8   | 1/2"   | 12.8   | 1.3/16"  | 12         | 36 | 41   | 38   | 415      | 6019 |
| F90ORFS1013   | -10  | 5/8"   | 16     | 1"       | 14         | 30 | 43.5 | 51.5 | 350      | 5076 |
| F90ORFS1014   | -10  | 5/8"   | 16     | 1.3/16"  | 12         | 36 | 48   | 46.5 | 350      | 5076 |
| F90ORFS1214   | -12  | 3/4"   | 19     | 1.3/16"  | 12         | 36 | 49   | 56   | 350      | 5076 |
| F90ORFS1215   | -12  | 3/4"   | 19     | 1.7/16"  | 12         | 41 | 54   | 56.5 | 350      | 5076 |
| * F90ORFS1614 | -16  | 1"     | 25.4   | 1.3/16"  | 12         | 36 | 85   | 70   | 280      | 4061 |
| F90ORFS1615   | -16  | 1"     | 25.4   | 1.7/16"  | 12         | 41 | 59.5 | 74   | 280      | 4061 |
| F90ORFS2021   | -20  | 1.1/4" | 31.8   | 1.11/16" | 12         | 50 | 75.5 | 90   | 210      | 3046 |
| F90ORFS2432   | -24  | 1.1/2" | 38.1   | 2"       | 12         | 60 | 84   | 99   | 185      | 2683 |